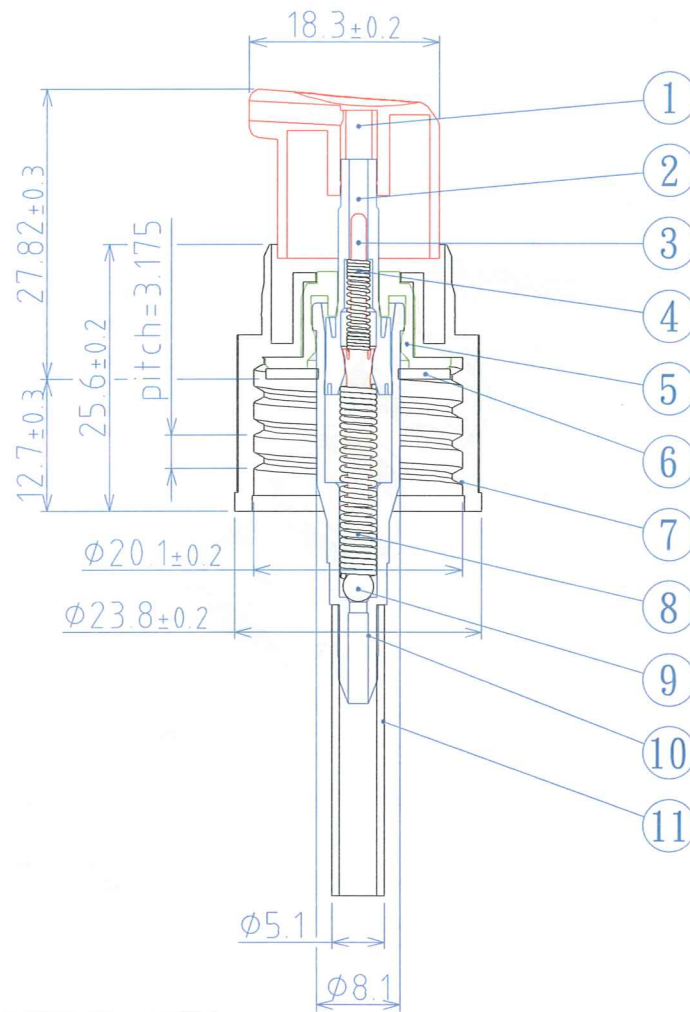




0.16cc Lotion Pump L-20(加大蓋)



| Item | Description | Material |
|------|--------------------|-----------------|
| 1 | Actuator | PP |
| 2 | Piston | PE |
| 3 | Poppet | PE |
| 4 | Main Spring | Stainless Steel |
| 5 | Flange | PE |
| 6 | Gasket | TPR |
| 7 | Screw Cap (18/415) | PP |
| 8 | Return Spring | Stainless Steel |
| 9 | Ball | Stainless Steel |
| 10 | Body | POM |
| 11 | Dip-tube | P.E |

| | |
|-------------|--------------|
| Date | 2018/01/22 |
| Drawing No. | l20-b1-20001 |

* 此圖面在未經許可下請勿實行"拷貝"及"製作".