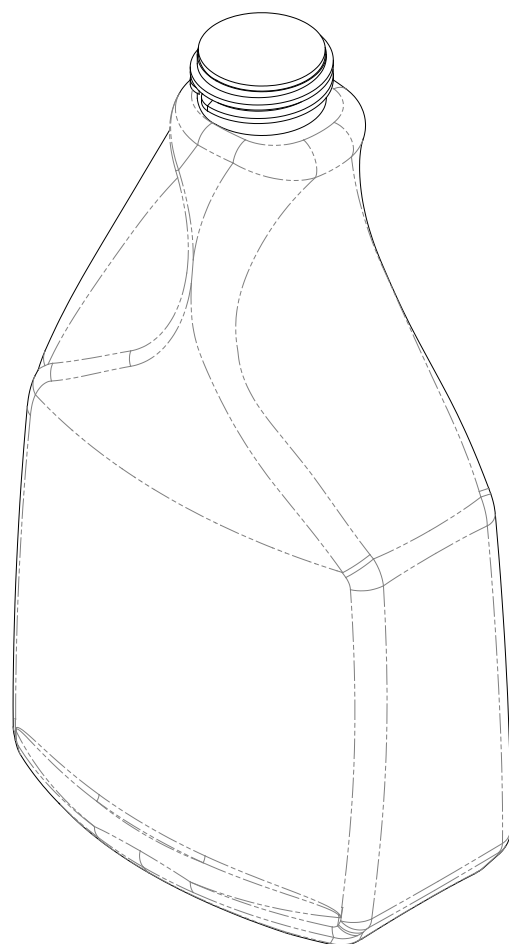
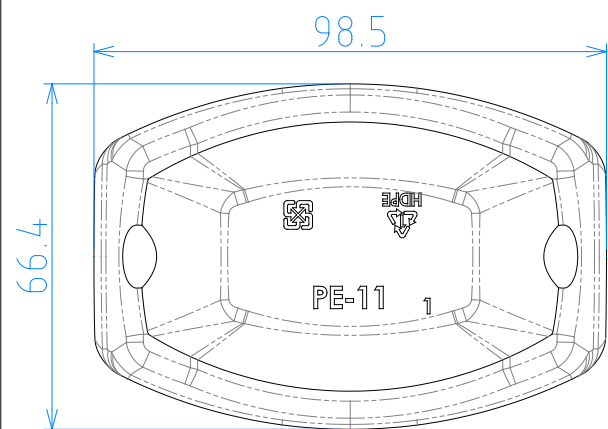
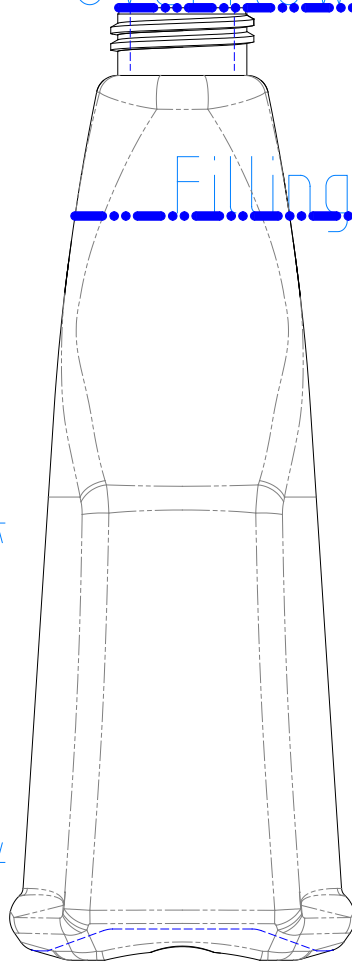


Overflow Line 535ml+10ml

Filling Line 500ml+10ml



Drawn By	Doris	Date	09/07/09	Description	Bottle 500ml
 LIVING FOUNTAIN PLASTIC INDUSTRIAL CO., LTD. TEL: 886-4-24966688	Specification	φ28mm/56g			
	Material	PE			
	Item	PE-11			