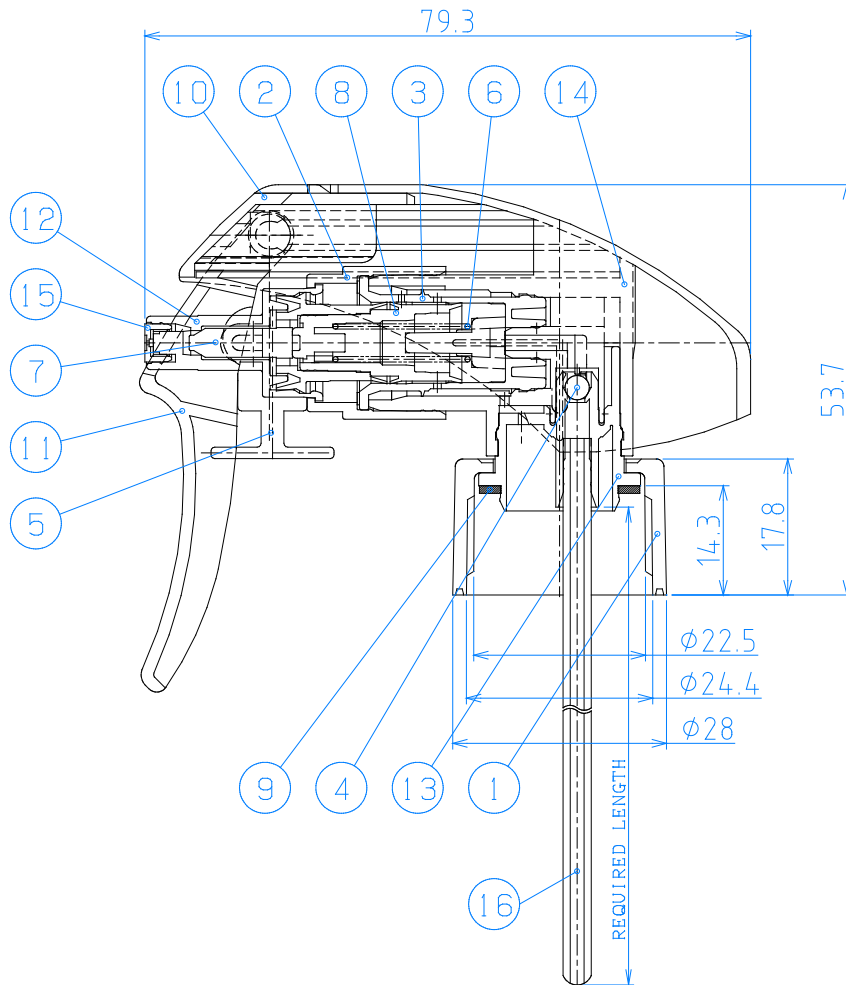


# T-305 Mini Trigger



No.	Name	Dwg No.	Material	Remarks
1	CLOSURE CAP	T305- 503-38- 0	PP	NATURAL
2	CYLINDER (A)	T305- 601-38- 0	PP	NATURAL
3	CYLINDER (B)	T305- 603- 1- 0	PP	NATURAL
4	BALL	90- 702	SUS	OUTER DIAMETER= $\phi 3.18$
5	STOPPER	T305- 903-18- 23	PP	BLUE (PPD 4943 U)
6	SPRING	T305-1001	SUS	WIRE DIAMETER= $\phi 0.7$
7	PLUNGER (A)	T305-1101-36- 0	LDPE	NATURAL
8	PLUNGER (B)	T305-1102-36- 0	LDPE	NATURAL
9	GASKET	T305-1303-10- 1	FOAMED PE, PP LAMINATED	BLUE t=1.0
10	TRIGGER BASE	T305-1702-38- 0	PP	NATURAL
11	TRIGGER	T305-3201-38- 0	PP	NATURAL
12	CYLINDER SPIN ELEMENT	T305-3301- 2- 0	HDPE	NATURAL
13	INTAKE	T305-4202-46- 0	POM	NATURAL
14	BODY	T305-4303-38- 0	PP	NATURAL
15	NOZZLE	ND- 97- 0	POM	NATURAL
16	DIP-TUBE	SD- 75		$\phi 3.65 \times \phi 2.4$ REQUIRED LENGTH