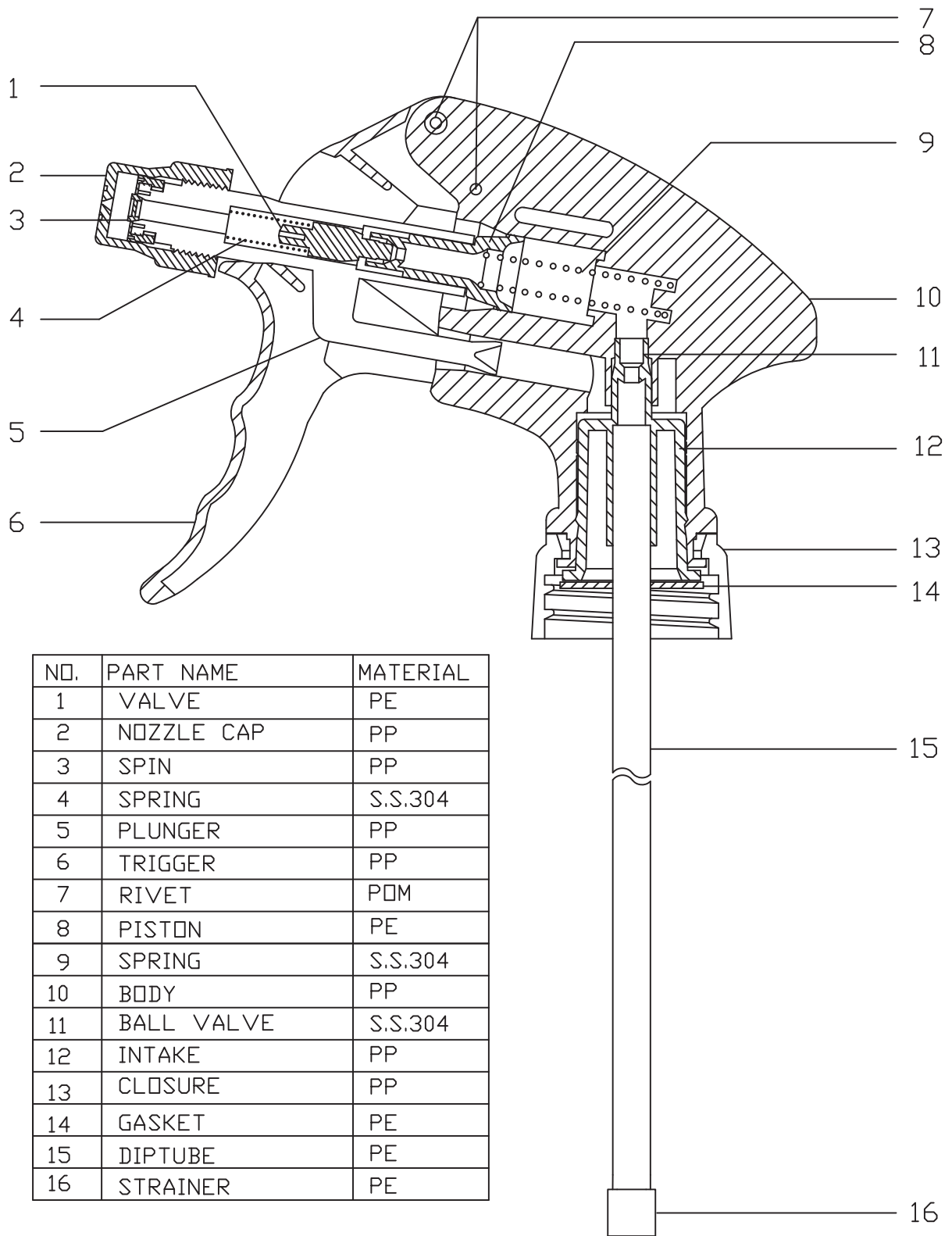
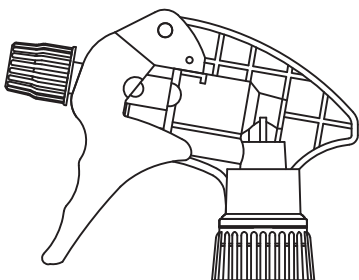




TS-900 TRIGGER SPRAYER



NO.	PART NAME	MATERIAL
1	VALVE	PE
2	NOZZLE CAP	PP
3	SPIN	PP
4	SPRING	S.S.304
5	PLUNGER	PP
6	TRIGGER	PP
7	RIVET	POM
8	PISTON	PE
9	SPRING	S.S.304
10	BODY	PP
11	BALL VALVE	S.S.304
12	INTAKE	PP
13	CLOSURE	PP
14	GASKET	PE
15	DIPTUBE	PE
16	STRAINER	PE



Date	2013/01/03
Drawing No.	ts900-b1-28001